

Intents of VisitAble Minimum Standards

“VisitAble Housing” or “VisitAbility” is the concept of designing and building homes with basic accessibility in mind. “VisitAble” design ensures easy access on the main level for all residents and guests of all ages and levels of mobility.



1 No-Step Entry

- At least one no-step entry leading into the VisitAble home
- The no-step entry must be connected to an accessible path of travel leading from a driveway, pathway or parking area on the home property.

2 Wider Doorways and Hallways on VisitAble Floor in Home

- All doorways on a VisitAble floor must be 915mm (36 inches) in width at minimum.
- All hallways on a VisitAble floor must be 1,100mm (43 inches) in width at minimum.

3 Washroom on VisitAble Floor in Home

- A VisitAble home must have at least one washroom on the VisitAble floor.
- The washroom must be accessible to individuals using basic mobility equipment so that they can freely manoeuvre to open or close the washroom door behind themselves.
- There must be a minimum 1,500mm (60 inch) diameter of open floor space within the washroom for an individual using mobility equipment to approach a sink, vanity mirror, toilet, and support features where present.
- Additional minimum 915mm (36 inch) spaces must be provided beside and in front of a toilet for an individual to transfer themselves from their mobility equipment to the toilet.
- Support features must be installed that can be reached with ease from around the toilet area for an individual to hold onto in order to safely transfer to and from the toilet.
- There must be a clear space provided under the vanity area for an individual to safely approach a sink with a lever handled faucet.
- Washroom walls must have wooden reinforcement between the heights of 460mm to 1,675mm (18 to 66 inches) to allow for the attachment of support features and other fixtures.

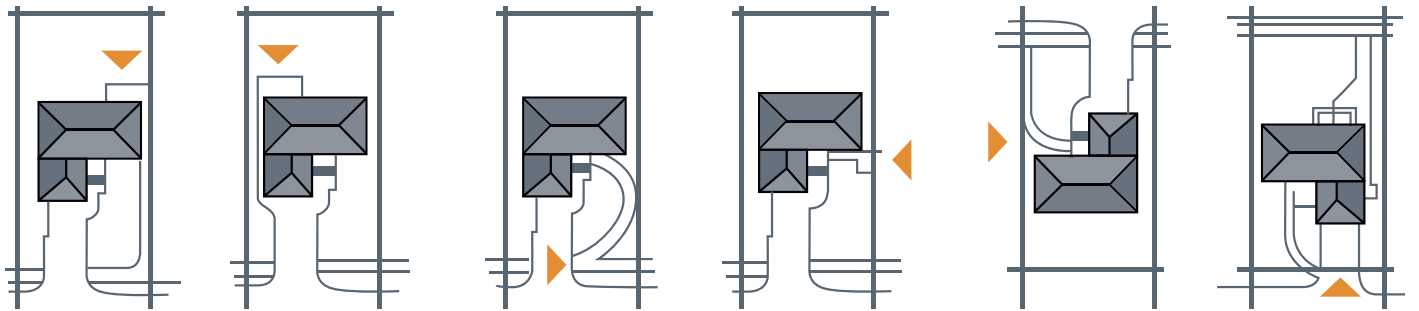
4 Overnight Space

- A VisitAble home must have a space which can be cleared to make way for a cot, couch or bed for a guest to be able to stay overnight should they be staying for an extended period.
- The space must be in an area which can allow for it to be sectioned off by a privacy screen, curtain, or door for privacy and dignity, though it is up to the household members and the guest what degree of privacy is needed.

VisitAble Home Entrance Options



Entrance Placement Options



Washroom on VisitAble Floor in-Home Space Required Minimums

